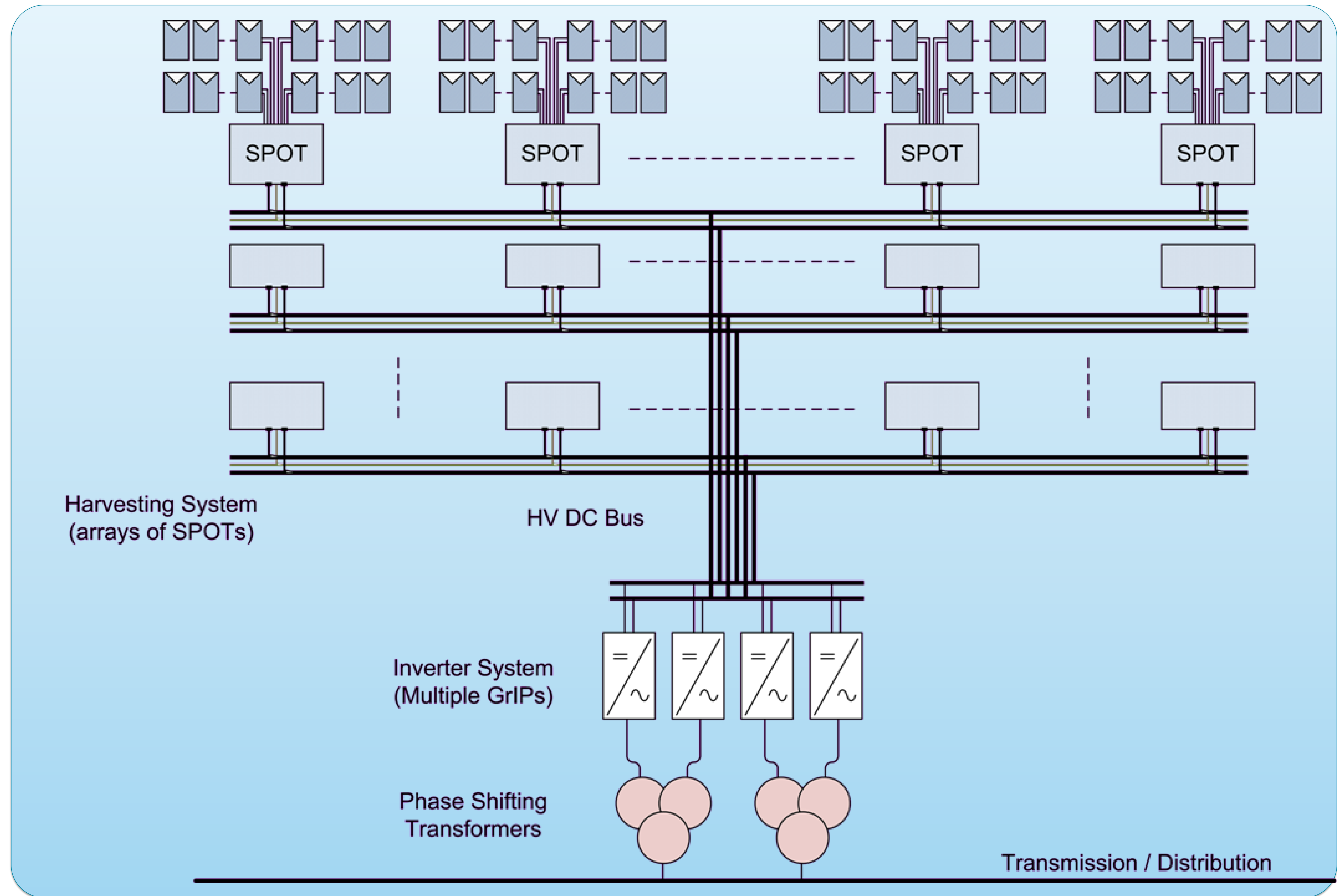
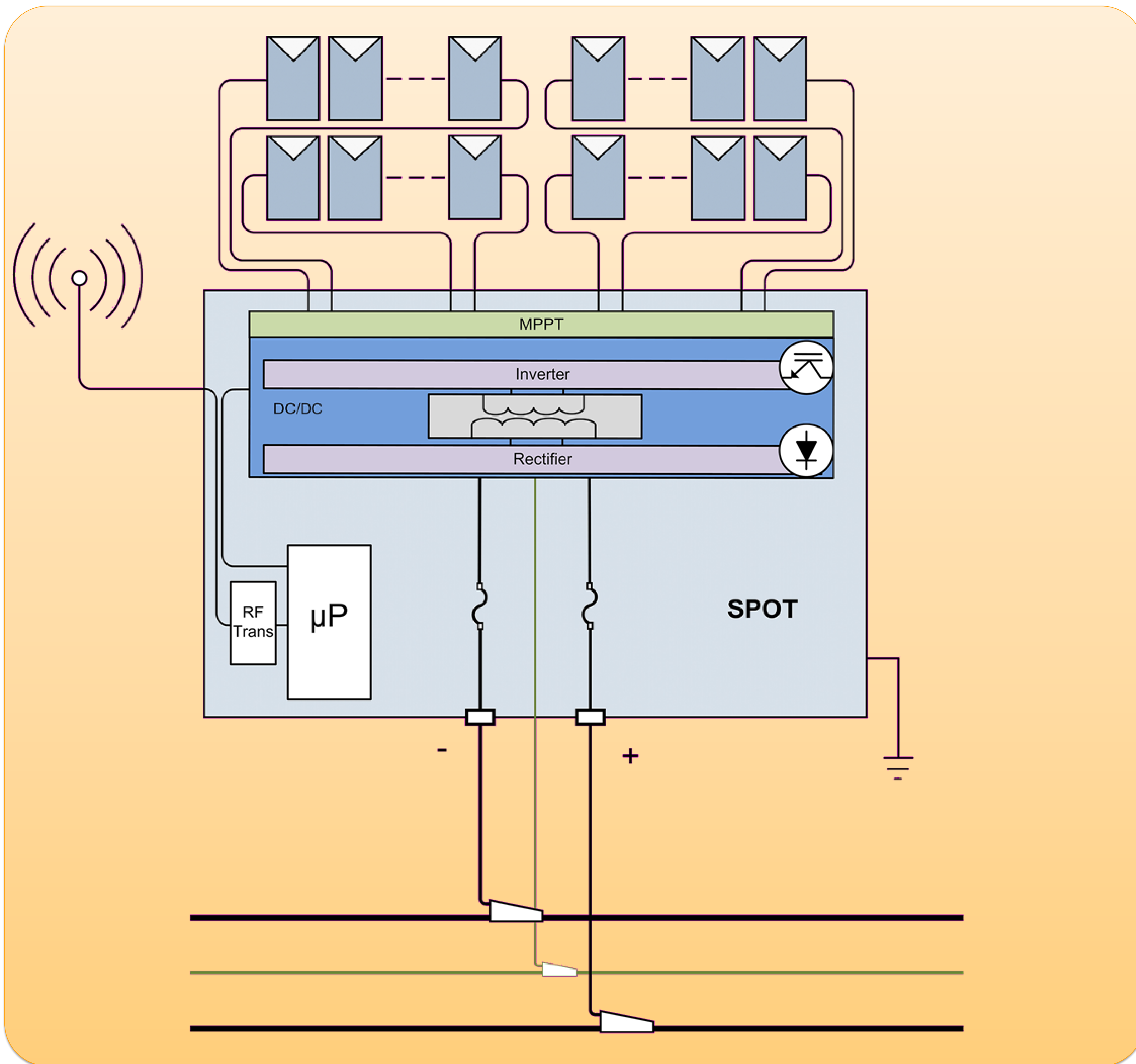


Cost Reductions with Multi-Megawatt Centralized Inverter Systems

Alencon Systems, LLC

SYSTEMS INTEGRATION



- Up to 25kW
- String-wise MPPT
- 300 to 1,000V DC Input Voltage
- 2,500V DC Bi-polar Output Voltage
- "Plug and Play" Topology
- Wireless Communication and Data Collection

Distributed Harvesting



- 99.1% Efficient Inverter System
- Power Factor Control +/- 0.9
- 2,500VDC
- Low/Zero Voltage Ride Through
- Compact Design
- Liquid Cooling
- Hot-Swap Capability
- Lower Total Cost of Ownership
- Large BOS System Savings

Designed to be "Made in the USA"